



Submittal Data Sheet

EC5000MF Mixed Flow In-Line Fan

Job Name: _____

Equipment Rep: _____

Contractor: _____

Prepared By: _____

Arch./Engr.: _____

Date: _____

Description:

The ECMF-Series is designed for installation in ducts. These fans are known for their economical use of energy and ease of control. They can be varied in speed to match an application's demand and operate at high efficiency levels. For the same air volume, they consume considerably less energy than a standard fan with an AC motor. The housing is manufactured from galvanized sheet metal with the seams folded to give the fan an air tight casing. All fans have a minimum 1" long connection collar. The fans have a mixed flow impeller and external rotor EC-motors. The fan motor's speed is controlled via a 0-10Vdc signal. The motor provides a +10V reference that can be used by a remotely-mounted potentiometer (such as MTP 10). The motor can also be controlled by an externally-provided 0-10Vdc signal that can come from an MPC-Series Control or BMS. Motor protection is integrated in the electronics of the motor.

Use with the MPC-Series Modulating Pressure Controller for an Automatic-Variable Speed system which will modulate to always deliver the correct amount of exhaust or supply air.

Housing Construction:

Galvanized steel

Impeller:

Mixed flow

Motor:

ECM 460/3/60 VAC, 1965 Watts

Max Temperature:

104° F / 40° C

Weight:

75 Lbs

Listings:

UL/ULC

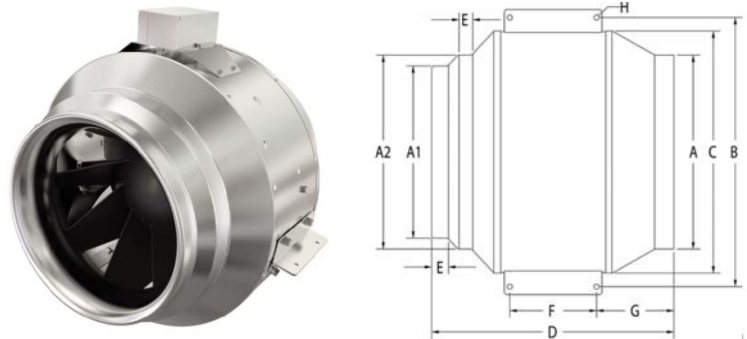


Warranty:

1 year mechanical

Optional Controls & Equipment:

- MPC Modulating Pressure Controller
- MPC1 Modulating Pressure Controller Interlocked
- MAC1E Multiple Appliance Control
- MAC4E Multiple Appliance Control
- IPS-1 Indoor Pressure Sensor Decorative Cover
- FFP-1 Freeze and Fire Protection Limit (FFP-1 For combustion air applications only!)



A	A1	A2	B	C	D	E	F	G	H			
16	16	18	24	3/8	22	1/8	23	3/4	1 1/4	7 7/8	8 1/2	1/2

Dimensions are in inches.

EC5000MF FAN CURVE

